

Type: Pressure Transducers

Material: Titanium Alloy

Protection: IP 65

Features: Airproofed structure with high stability

High accuracy and high reliability

Small volume, light weight and very convenient to use

Suitable for precision measuring for all kinds of static or non-crystal liquids, gases

Applicable for high capacity pressure measurement that changes slowly

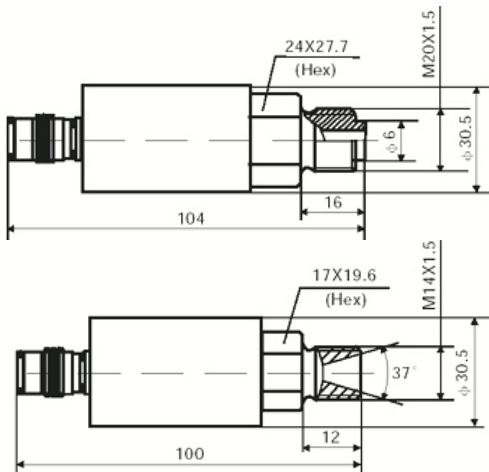
Can be matched with numeral pressure indicators or record instruments



Specifications:

Capacity	Bar	4, 6, 8, 10, 15, 20, 30, 40, 50, 60, 80, 100, 120, 150, 200, 250		
Accuracy Class		A	B	C
Non-linearity	%FS	0.1	0.2	0.3
Repeatability	%FS	0.1	0.2	0.3
Hysteresis	%FS	0.1	0.2	0.3
Temperature Effect on Zero	%FS/10°C	0.1	0.2	0.3
Temperature Effect on Span	%FS/10°C	0.1	0.2	0.3
Terminal Resistance - Input	Ω	380 ± 30		
Terminal Resistance - Output	Ω	350 ± 3.5		
Insulation Resistance	MΩ	≥ 5000 (50VDC)		
Output Sensitivity	mV/V	1.5 ± 0.3		
Zero Balance	mV	≤ ± 1		
Excitation - Recommended	V	5 ~ 10 (DC/AC)		
Excitation - Permitted	V	4 ~ 15 (DC/AC)		
Temperature - Compensated	°C	-10 ~ +60		
Temperature - Operating	°C	-30 ~ +70		
Safe Overload	%FS	120		
Ultimate Overload	%FS	150		
Threads	M	14 x 1.5		
Cable length	m	-		

Outline Dimensions(mm):



Ordering Details:

Code	Accuracy
A	0.1
B	0.2
C	0.3

Code	Measurement Range	
	Bar	Mpa
004B	4	0.4
006B	6	0.6
008B	8	0.8
010B	10	1
015B	15	1.5
020B	20	2
030B	30	3
040B	40	4
050B	50	5
060B	60	6
080B	80	8
100B	100	10
120B	120	12
150B	150	15
200B	200	20
250B	250	25

Order Code PTT31 - [] - [] [] [] []
 Ordering Example: [B] - [1] [5] [0] [B]

Electrical Connection:

